

Panasonic

Analogue Proprietary Telephones


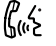

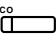



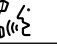
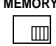
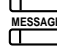



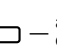


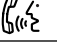



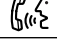

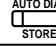
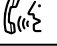

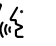
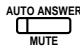




Quick Reference Guide

Model KX-T7000 series

Features List

For the KX-TA 624 users

 Outside (CO) Line button
  Off-hook
  On-hook
  Feature number
  Talk


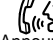






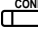
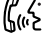








Desired Function	Operation
Making Calls	
Calling	To an extension:  ► extension no. ►  To an external party:  ►  ► phone no. ► 
Redial	 ►  ► 
One-touch Dialling	To program:  SET+PROGRAM ►  + 2 ► telephone no. ►  ►  SET+PROGRAM Set to "PROGRAM". To dial:  ►  — assigned as a One-touch dialling button ►  Set to "SET".
Calling an operator	 ► 0 ► 
Speed dialling (Personal)	To set:  ► 2 ► * ► personal speed dial no. ► desired no. ► # ►  To dial:  ► # ► personal speed dial no. ► 
Speed dialling (System)	To dial:  ►  ► system speed dial no. ► 
Receiving Calls	
Receiving calls	 ► 
Handsfree answerback	While on-hook 
Picking up a call	Group:  ► 4 ► 0 ►  Directed:  ► 4 ► extension no. ► 

* If your telephone is connected to another main unit, refer to that unit's manual or consult your dealer.

Features List

Desired Function	Operation	
When the Dialed Extension is Busy/No Answer		
Automatic Callback Busy	To set <i>While hearing a busy tone</i> 6 ►	To call <i>If you hear callback ringing</i>
Call Waiting	Sender	<i>While hearing a busy tone</i> 2 ► Wait for an answer. ►
	Receiver	For outside calls ► [7 3 1 1 # Set] ► [7 3 1 0 # Cancel] ► For intercom calls ► [7 3 2 1 # Set] ► [7 3 2 0 # Cancel] ► To talk to the new party <i>While hearing a tone</i> HOLD ► CO / INTERCOM ►
Message Waiting	Sender	To leave a notification MESSAGE ► To cancel a notification ► extension no. ► MESSAGE MESSAGE ►
	Receiver	To call back ► MESSAGE ► To clear all notifications ► 7 0 0 ► # ►
During a Conversation		
Holding a call	Holding HOLD ►	To retrieve a call at the holding extension ► CO / INTERCOM ► To retrieve an outside call from another extension ► CO ►
Holding a call exclusively	Holding HOLD HOLD ►	To retrieve a call on exclusive hold ► CO / INTERCOM ►
Transferring a call	TRANSFER ► [extension no. to an extension] ► CO [phone no. to an external party] ► Announce. ►	

Features List

Desired Function	Operation
During a Conversation	
Paging	 ▶ All extensions (3) (3) (0) Group (3) (3) group no. External (3) (4) All extensions & External (3) (3) (*) ▶  Announce. To answer an announced page  ▶ (4) (3) ▶ 
Useful Features	
Forwarding a call	 ▶ FWD/DND (7) (1) ▶ All calls (1) ▶ extension no. ▶ # Busy / No answer (2) ▶ extension no. ▶ # To an outside line (3) ▶ line access code ▶ phone no. ▶ # Follow Me (5) ▶ your extension no. ▶ # Cancel (0) ▶ # Cancel Follow Me (8) ▶ your extension no. ▶ # ▶ 
Do Not Disturb (DND)	 ▶ FWD/DND (7) (1) ▶ (4) Set (0) Cancel ▶ # ▶ 
Three-party conference	 ▶ CONF third party's no. ▶  ▶ CONF
Setting Absent Message	 ▶ (7) (5) ▶ message no. ▶ # ▶ 
Log-In/Log-Out	 ▶ (7) (3) (6) (0) # For Log-In (7) (3) (6) (1) # For Log-Out ▶ 
Locking your extension	 ▶ (7) (7) lock code lock code ▶ # Lock (7) (7) lock code ▶ # Unlock ▶ 
Clearing the setting	 ▶ (7) (9) # ▶ 

* Some feature numbers can be changed by System Programming.

* Refer to the KX-TA series manual for the numbers in the box (e.g. message no., lock code).
 For more details, consult your dealer.

Accessories

When unpacking, check the following items.

Item	Qty	Order replacement parts no.	
		White models	Black models
Handset	one	PQJX2PSL05Z	PQJX2PML08Z
Telephone line cord	one	PSJA1064Z	PSJA1064Z
Handset cord	one	PQJA214Y	PQJA214V
Card holder	one	PQHR9565Y1	PQHR9565Y2
(KX-T7020/KX-T7130)			
Memory station card	one	PQHP5107Z	PQHP5107Z
(KX-T7020/KX-T7130)			
Overlay	one	PQGD10006W	PQGD10006W
(KX-T7130)			

For your future reference

SERIAL NO. _____
 (found on the bottom of the unit)

DATE OF PURCHASE _____

NAME OF DEALER _____

DEALER'S ADDRESS _____

DEALER'S TEL. NO. _____